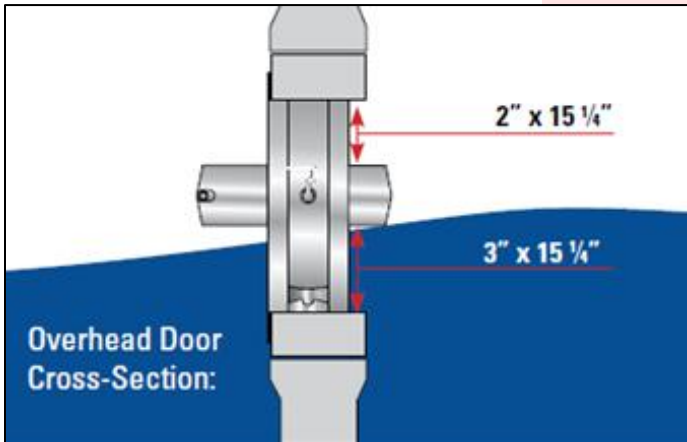


Flood Vents for Overhead Doors

Arm-R-Lite is proud to offer flood vent options for our welded aluminum and glass overhead sectional door models.

Flood Protection: Flood vents work by allowing flood water to enter and exit through the door and relieve pressure from the foundation walls. Vents are latched closed until entering flood water lifts the interior float, unlatching the door and allowing it to open.



Available Sizes

Dimension:	16" x 8"
Rough Opening:	16" x 8"
Dimension:	14 1/2" x 8 1/2"
Rough Opening:	14 1/2" x 8 3/4"

Flood vents are sold with our sectional doors as a complete assembly only

Available Exterior Colors



Black



White



Gray



Wheat



Stainless

Colors shown are representative of production finishes. Variation may occur.

Code Compliant, FEMA Accepted, ICC-ES Evaluated



ARM-R-LITE Door Manufacturing Co., Inc.
*If it isn't **WELDED**, it isn't **ARM-R-LITE!***

40 Colonial Drive, Piscataway, NJ 08854
 (p) 1-800-554-5816
 (p) 908-754-2600
 (f) 908-754-6522
 info@arm-r-lite.com
www.Arm-R-Lite.com